

RT9624GGQWA

RT9624GGQWA Richtek IC BUCK MOSFET DRVR WDFN-8S 349289 pcs stock Hong Kong DHL/Fedex/TNT/UPS/EMS

349289 pcs stock

Table with 7 columns: Quantity (1 pcs, 10 pcs, 25 pcs, 100 pcs, 250 pcs, 500 pcs, 1000 pcs) and Price (\$0.315, \$0.275, \$0.258, \$0.211, \$0.196, \$0.167, \$0.133)

Quote

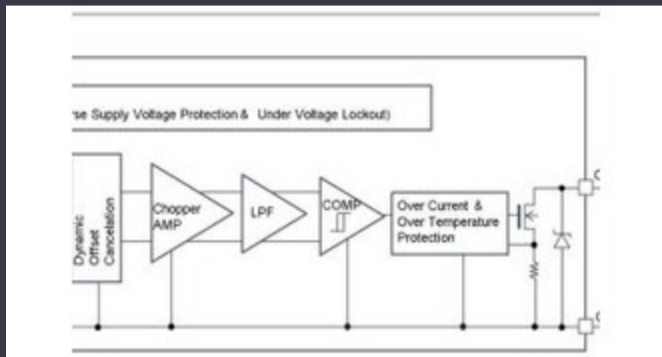
Quote description text: 24 hours service, info@global-ic.hk

QUOTE button

RT9624GGQWA

Technical specifications table for RT9624GGQWA including input voltage (4.5V ~ 13.2V), output current (8-WDFN-SL (2x2)), and operating temperature (-40°C ~ 85°C (TA)).

Application



Application description text: 38 -

2023/08/23

Application description text: 800 -

2023/08/11

Application description text: 1% - MCU -

2023/09/12

London Electric Truck Maker- EV...

2023/08/15

Rutronik IoT Genio...

2023/07/4

Application description text: 2023/04/19

2023/04/19

Application description text: 2023/08/16

2023/08/16

Borgwarner Sic- ST-...

2023/08/31

2023/07/19

TDK Power Sink- DC PSU-...

2023/09/15

Application description text: 2023/07/21

2023/07/21

Application description text: 2023/09/18

2023/09/18

